

## Premium Preparation 1400 mm Work Table with Upstand

ITEM # \_\_\_\_\_

MODEL # \_\_\_\_\_

NAME # \_\_\_\_\_

SIS # \_\_\_\_\_

AIA # \_\_\_\_\_


**133056 (TG1410EN)**

 Work Table with 100mm  
upstand, 1400mm

### Short Form Specification

**Item No.** \_\_\_\_\_

The 50mm high worktop in 304 AISI stainless steel, 1,5mm in thickness, has anti-drip edges and welded corners. Under-top reinforcement bars in 304 AISI stainless steel. Integral rear upstand, h=100mm, with 10mm radius. Round section legs and feet in 304 AISI stainless steel, 50mm in diameter. Height-adjustable feet (+0-50mm).

### Main Features

- The table can be ordered with the drawer of 400 mm or 600 mm (optional accessory): thanks to the design of the drawer, additional drawers can be added to the first single drawer to create chest of 2, 3 or 4 drawers based on customer's needs.
- Sturdiness, stability and reliability of table accurately tested.

### Construction

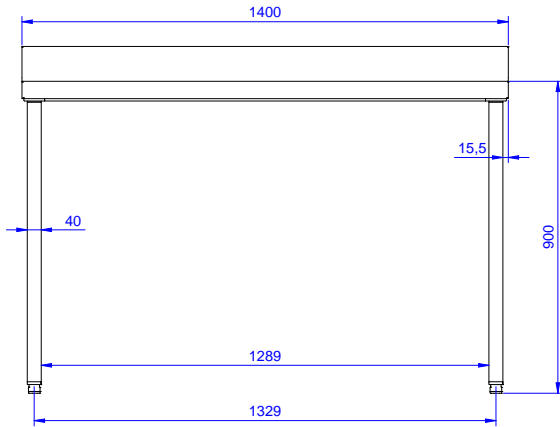
- 100 mm upstand with 10 mm radiused corner and 13 mm deep, designed to be used against a wall.
- Worktop with 50 mm high profile, in s/s Scotch Brite finishing, 15/10 in thickness with anti-drip edges and welded corners.
- Round section legs with feet in 304 AISI stainless steel, 50 mm in diameter, adjustable in height by +0/-40 mm.
- Delivered in knock-down package.
- Wide range of taps are available to suit every need.
- Heavy duty construction entirely in AISI 304 stainless steel to offer maximum durability.

### Optional Accessories

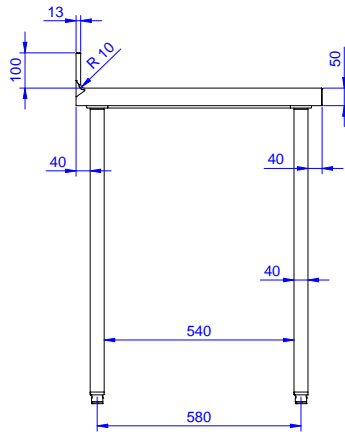
- Single drawer GN 1/1, 400mm PNC 855280
- Single drawer, 600mm PNC 855281
- Lower shelf for 1400mm for PNC 855283   
units
- Set of 4 wheels (2 with brake) PNC 855288   
d. 100mm
- 3-sided underframe for PNC 855291   
1400mm tables
- Additional drawer, 600mm (to PNC 855295   
set up a chest of 2, 3, 4  
drawers)
- Additional drawer GN 1/1, PNC 855298   
400mm (to set up a chest of 2,  
3, 4 drawers)

**APPROVAL:** \_\_\_\_\_

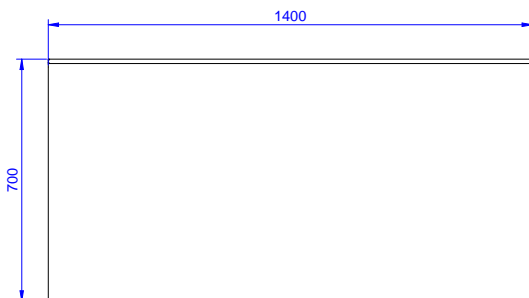
Front



Side



Top



**Key Information:**

Drawer combinations - No.  
400 mm drawers

133056 (TG1410EN) 3

Drawer combinations -  
No.600 mm drawers

1

Drawer combinations - No.  
400 + 600 mm drawers

1+1

External dimensions,  
Width:

1400 mm

External dimensions,  
Depth:

700 mm

External dimensions,  
Height:

900 mm

Upstand Dimensions,  
Height:

100 mm

Upstand Dimensions,  
Depth:

13 mm

Upstand Dimensions,  
Radius:

R=10

Worktop thickness:

50 mm

Net weight:

45 kg